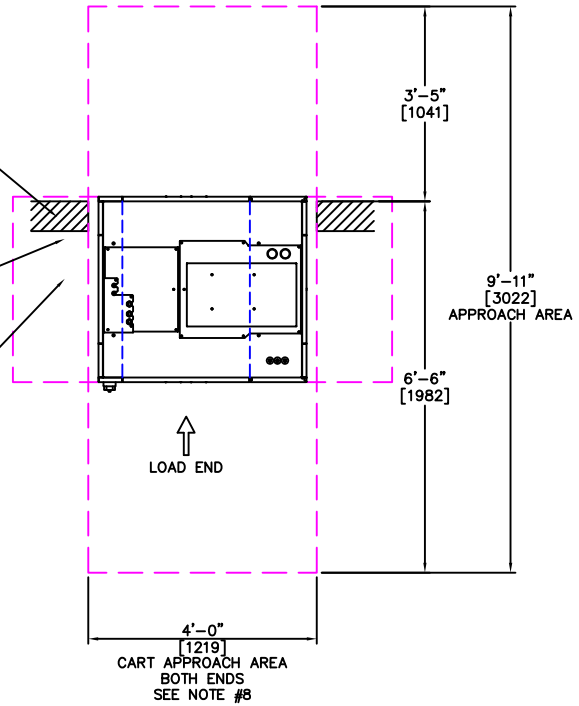


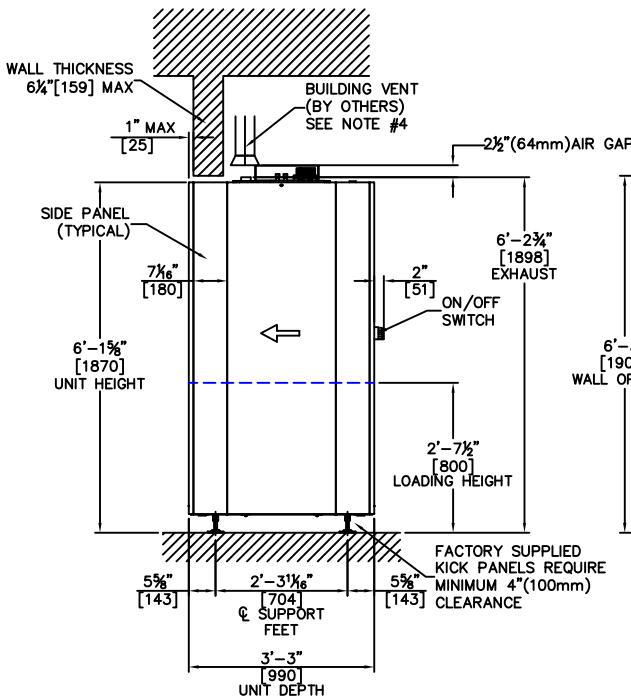
FOR DOUBLE DOOR RECESSED APPLICATIONS
WALL THICKNESS 6¼" [159] MAX

SERVICE CLEARANCE OF 18 INCHES IS SHOWN ON BOTH SIDES. THIS IS THE SPACE REQUIREMENT TO GET THE WASHER(S) INSTALLED AND FOR SERVICE ACCESS.

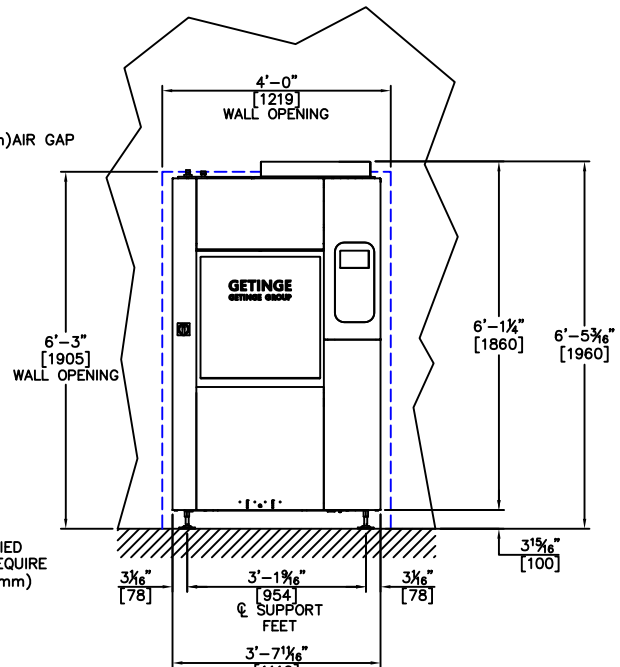
THE SPACE REQUIREMENT CAN BE REDUCED FOR PROJECTS WITH SPACE LIMITATIONS. CONSULT GETINGE PERSONNEL FOR ASSISTANCE.



PLAN VIEW



SIDE ELEVATION



FRONT ELEVATION
LOAD END

REV	BY	DATE	DESCRIPTION
-	-	-/-/-	----

PROJECT:
8668 WASHER-DISINFECTOR (G1 CONTROLS)

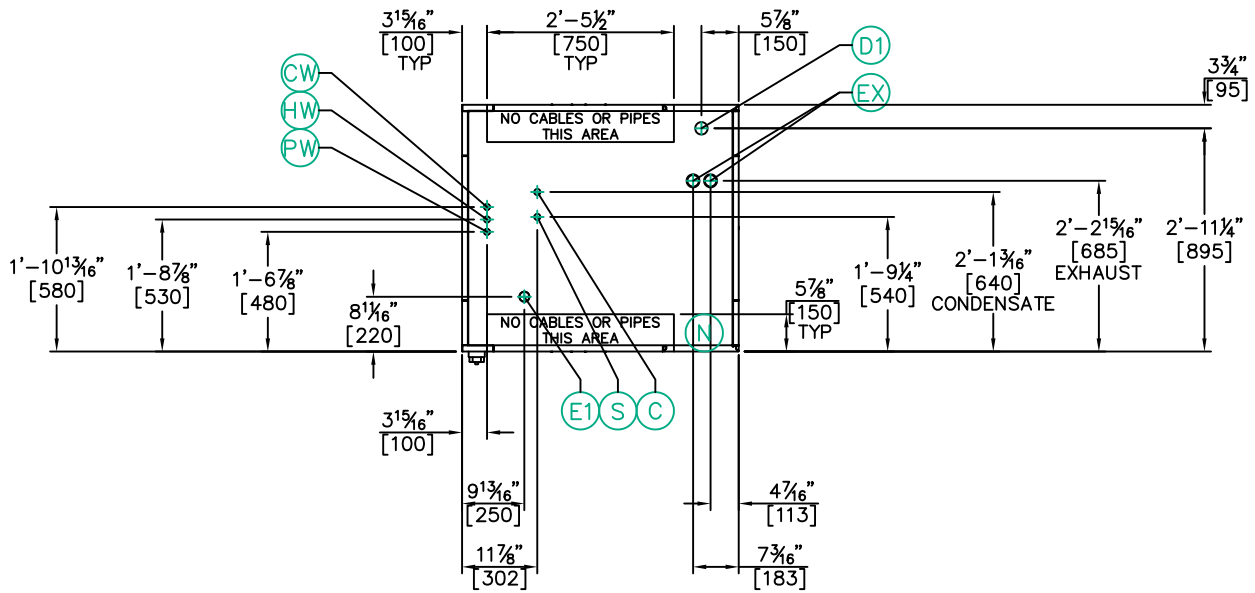
DESCRIPTION:
SINGLE & DOUBLE DOOR, EQUIPMENT DETAIL

DRAWING NOT TO BE USED FOR CONSTRUCTION

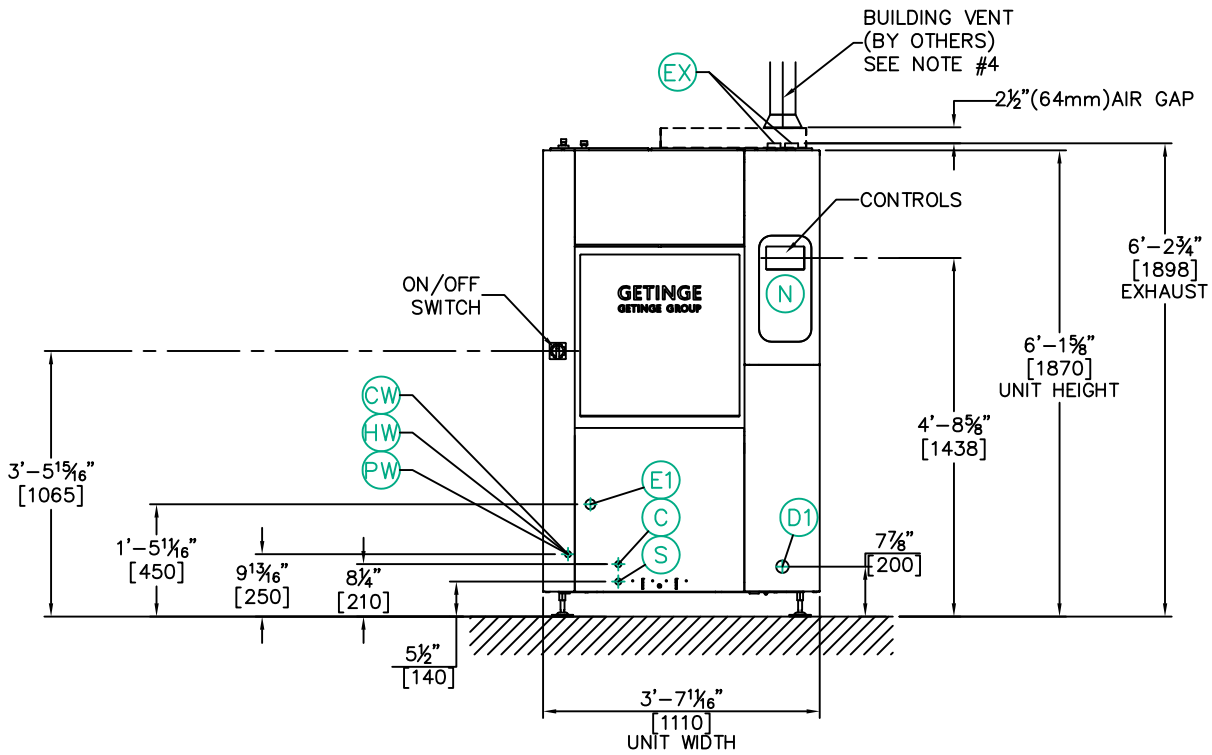
THIS DRAWING IS THE PROPERTY OF GETINGE USA INC. THE INFORMATION CONTAINED HEREON MAY NOT BE REPRODUCED OR COMMUNICATED TO THIRD PARTIES WITHOUT PRIOR WRITTEN PERMISSION.

GETINGE
GETINGE GROUP

DRAWN BY: BJP	SCALE: NTS
DATE: 3/24/15	SHEET #: 1 of 5
DRAWING NUMBER / FILE NAME: 9004-002	



PLAN VIEW



FRONT ELEVATION
LOAD END

REV	BY	DATE	DESCRIPTION
-	-	-/-/-	----

PROJECT:

**8668 WASHER-DISINFECTOR
(G1 CONTROLS)**

DESCRIPTION:

UTILITY CONNECTION LOCATIONS

DRAWING NOT TO BE USED FOR CONSTRUCTION

THIS DRAWING IS THE PROPERTY OF GETINGE USA INC. THE INFORMATION
CONTAINED HEREON MAY NOT BE REPRODUCED OR COMMUNICATED TO THIRD
PARTIES WITHOUT PRIOR WRITTEN PERMISSION.

GETINGE
GETINGE GROUP

DRAWN BY: BJP	SCALE: NTS
DATE: 3/24/15	SHEET #: 2 of 5
DRAWING NUMBER / FILE NAME: 9004-002	

GETINGE 8668 (G1 CONTROLS) - TECHNICAL DATA

OPERATING CONDITIONS		
ROOM TEMPERATURE	41–104° F(5–40° C)	
AIR HUMIDITY	MAX 80% AT 104° F(40° C)	
RADIANT HEAT LOSS	MAX AMBIENT HEAT EMISSIONS FROM THE MACHINE ARE 5118 BTU/HR(1500W) APPLIES WHEN THE AMBIENT TEMPERATURE IS 74° F (23° C ± 2° C) DURING THERMAL DISINFECTION PHASE	
HEAT TO EXHAUST	MAX 13649 BTU/HR (4000W) DURING DRYING	
MAX SURFACE TEMPERATURE	122° F(50° C)	
NOISE LEVEL	57–62 dBA	
WEIGHTS AND DIMENSIONS		
WIDTH	43 11/16"	(1110mm)
DEPTH	39"	(990mm)
HEIGHT	73 5/8"	(1870mm)
MATERIAL OF CONSTRUCTION	STAINLESS STEEL EN 1.4301, AISI 304	
EFFECTIVE CHAMBER DIMENSIONS		
WIDTH	26 3/16"	(665mm)
DEPTH	31 7/8"	(810mm)
HEIGHT	26 1/4"	(667mm)
CHAMBER VOLUME	12.40 FT ³	(351 liters)
MATERIAL OF CONSTRUCTION	STAINLESS STEEL EN 1.4404, AISI 316L	
WEIGHT AND FLOOR LOADING		
TOTAL WEIGHT	772–882 LBS	(350–400 KG)
LOADING PER FOOT* (4 FEET IN TOTAL) *INCLUDES WATER & CHAMBER LOAD	191–220 lbf	(0.85–0.98 kN)
SPECIFIC AREA LOADING	0.49–0.57 PSI	(3.4–3.9 kN/m ²)
FLOOR AREA LOADING, MACHINE FOOT	50 PSI	(347 kN/m ²)

REV	BY	DATE	DESCRIPTION
-	--	-/-/--	-----

PROJECT:

8668 WASHER-DISINFECTOR
(G1 CONTROLS)

DESCRIPTION:

TECHNICAL DATA

DRAWING NOT TO BE USED FOR CONSTRUCTION

THIS DRAWING IS THE PROPERTY OF GETINGE USA INC. THE INFORMATION CONTAINED HEREON MAY NOT BE REPRODUCED OR COMMUNICATED TO THIRD PARTIES WITHOUT PRIOR WRITTEN PERMISSION.

GETINGE

GETINGE GROUP

DRAWN BY: BJP	SCALE: NTS
DATE: 3/24/15	SHEET #: 4 of 5
DRAWING NUMBER / FILE NAME: 9004-002	

NOTES - ARCHITECTS AND CONTRACTORS

- 1.) IT SHALL BE THE CUSTOMER'S RESPONSIBILITY TO INSURE BY USE OF PRESSURE REGULATORS OR OTHER MEANS THAT MAXIMUM SPECIFIED PRESSURES ARE NOT EXCEEDED. DYNAMIC PRESSURE IS MEASURED DURING FLOW CONDITIONS. STATIC PRESSURE SHALL NOT EXCEED 70 PSIG(483KPA) FOR ANY SERVICE CONDITION. PRESSURE TO BE MEASURED AT POINT OF CONNECTION TO THE WASHER.
- 2.) IT SHALL BE THE CUSTOMER'S RESPONSIBILITY TO ELIMINATE WATER HAMMER CONDITIONS SHOULD THEY OCCUR IN THE SERVICE PIPING. IF REQUIRED, SHOCK ARRESTORS OR PRESSURE REGULATORS WOULD BE PROVIDED AND INSTALLED BY THE CUSTOMER.
- 3.) IT SHALL BE THE CUSTOMER'S RESPONSIBILITY TO PROVIDE A PROPERLY SIZED AND LOCATED DRAINAGE SYSTEM IN ACCORDANCE WITH THE UNIFORM PLUMBING CODE AND ANY APPLICABLE LOCAL CODES. THE DRAIN LINE PROVIDED BY THE CUSTOMER MUST ACCOMMODATE A MINIMUM FLOW OF 21 GPM(80 l/MIN). CONSIDERATION SHOULD BE GIVEN TO OTHER EQUIPMENT DUMPING INTO DRAIN LINE TO PREVENT SLOW DRAINAGE, BACK-UP, OR OVERFLOW.
- 4.) WHEN VENTING THE DRYING EXHAUST, IT SHALL BE THE CUSTOMER'S RESPONSIBILITY TO PROVIDE A VENTING SYSTEM WITH DAMPER CAPABLE OF EXHAUSTING 300-350 CFM(510-595 m3/h) MEASURED AT THE POINT OF CONNECTION TO THE WASHER. THE VENTING SYSTEM SHALL HAVE AN AIR GAP OF AT LEAST 2½"(64mm) DIRECTLY AFTER THE MACHINE EXHAUST IN ORDER TO CLEAR TOP SERVICE ACCESS OPENING. THE DIAMETER OF THE VENTING SYSTEM EXHAUST HOOD WILL NOT EXCEED ø6".
NOTE: THE HIGH WATER VAPOR CONTENT AND TEMPERATURE 194° F MAX(90° C MAX) OF THE EXHAUST MAY REQUIRE A SEPARATE DEDICATED EXHAUST. MAXIMUM AIR TEMPERATURE OF THE WASHER WILL BE 194° F(90° C). THE EXHAUST AIR HUMIDITY WILL BE 100% TO START AND THEN DROP TO APPROXIMATELY 45% AND 113° F(45° C) AFTER 2 MINUTES.
DUCTING AND EXHAUST FAN ARE TO BE CONSTRUCTED OF MATERIALS UNLIKELY TO BE AFFECTED BY MOISTURE. DUCTING SHALL BE SEALED TO PREVENT LEAKING, AND CONSTRUCTED TO PERMIT DRAINAGE OF CONDENSATE.
- 5.) WHEN NOT VENTING THE DRYING EXHAUST IT SHALL BE THE CUSTOMER'S RESPONSIBILITY TO ASSURE THE SPACE CAN HANDLE THE HOT VAPOR LADEN AIR FROM THE DRYING HEAT EXCHANGER PER NOTE 4.
- 6.) IT SHALL BE THE CUSTOMER'S RESPONSIBILITY TO COMPLETE ALL ELECTRICAL CONNECTIONS USING PROPERLY SIZED WIRING IN ACCORDANCE WITH THE NATIONAL ELECTRIC CODE.
- 7.) IT SHALL BE THE CUSTOMER'S RESPONSIBILITY TO PROVIDE A FUSED DISCONNECT SWITCH IN ALL ELECTRICAL SUPPLY LINES AT THE WASHER LOCATION, AS REQUIRED BY LOCAL CODES.
- 8.) IT SHALL BE THE CUSTOMER'S RESPONSIBILITY TO PROVIDE NON-SLIP FLOORING IN THE AREAS DEFINED AS "APPROACH AREA" ON THE SHEET 1 PLAN VIEW OF THIS DRAWING. THE "APPROACH AREA" IS TO BE FLAT WITHIN 1/8".
- 9.) IT SHALL BE THE CUSTOMER'S RESPONSIBILITY TO PROVIDE THE BARRIER WALL SEPARATING SOILED AND CLEAN AS REQUIRED. MAXIMUM THICKNESS IS 6¼"(159mm).
- 10.) REMOTE DETERGENT CONTAINERS ARE TO BE WITHIN 60"(1524mm) OF THE UNIT AND ELEVATED NO MORE THAN 24"(610mm) ABOVE THE SUPPORTING FLOOR, UNLESS AN ALTERNATE DISTRIBUTION SYSTEM WILL SUPPLY THE WASHERS.
- 11.) IT SHALL BE THE CUSTOMER'S RESPONSIBILITY TO PROVIDE SHUTOFF VALVES FOR INCOMING HOT WATER, COLD WATER, PURIFIED WATER, STEAM, AND CONDENSATE(OPTION). THE VALVES ARE TO BE IN CLOSE PROXIMITY OF THE WASHER/ DISINFECTOR, BELOW THE CEILING, AND ACCESSIBLE TO SERVICE PERSONNEL. IT IS RECOMMENDED THAT PRESSURE GAUGES BE LOCATED WITHIN CLOSE PROXIMITY TO SHUTOFF VALVES.
- 12.) CLEANING PERFORMANCE OF THIS PRODUCT IS BASED ON POTABLE WATER OF GOOD QUALITY PER AAMI TIR34. THE QUALITY OF THE HOT AND COLD WATER SUPPLIES SHOULD BE CHECKED PRIOR TO INSTALLATION. WHEN PURIFIED WATER IS USED FOR THE FINAL RINSE, RESISTIVITY MUST BE BETWEEN 50,000-200,000 OHMS TO AVOID HARMFUL EFFECTS.
- 13.) DEVICE REQUIRES DEDICATED IP ADDRESS ON CUSTOMER NETWORK. EITHER ASSIGNED BY DHCP(RESERVATION PREFERRED) OR STATIC. STATIC ADDRESS SHOULD BE AVAILABLE TO THE INSTALLER AT TIME OF INSTALLATION. INTERNET ACCESSIBILITY MAY BE REQUIRED. INSTALLER MAY REQUIRE PROXY DETAILS IF PRESENT.

REV	BY	DATE	DESCRIPTION
-	--	-/-/-	----

PROJECT:
8668 WASHER-DISINFECTOR (G1 CONTROLS)
DESCRIPTION:
TECHNICAL DATA
DRAWING NOT TO BE USED FOR CONSTRUCTION
THIS DRAWING IS THE PROPERTY OF GETINGE USA INC. THE INFORMATION CONTAINED HEREON MAY NOT BE REPRODUCED OR COMMUNICATED TO THIRD PARTIES WITHOUT PRIOR WRITTEN PERMISSION.

GETINGE GETINGE GROUP	
DRAWN BY: BJP	SCALE: NTS
DATE: 3/24/15	SHEET #: 5 of 5
DRAWING NUMBER / FILE NAME: 9004-002	